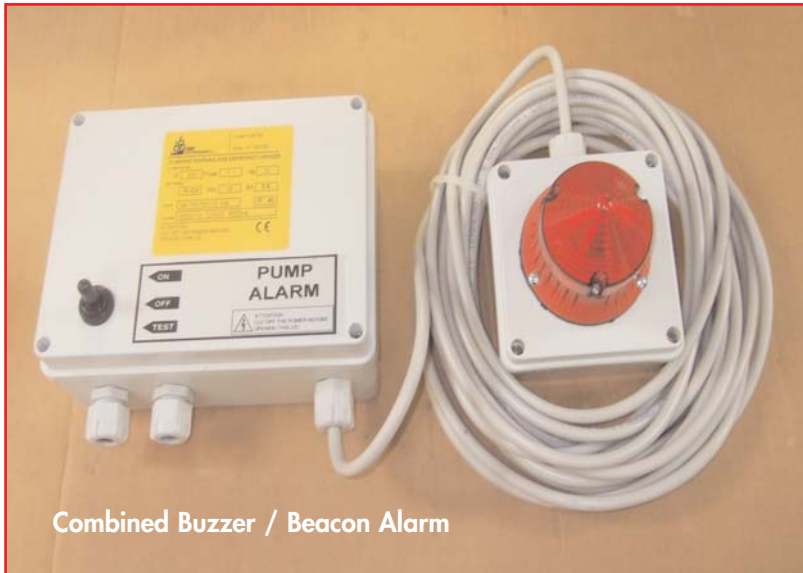


PUMP FLOAT SWITCH ALARM UNIT

Audible and Beacon with 2 hour battery back-up

This simple to install unit is designed for audible and visual alarm of pump plant failure, even in the case of power cut. It features a combined 65dB/1m buzzer and a Ba15d 5W red flashing beacon, with a battery back-up time of approx. 2 hours.



Combined Buzzer / Beacon Alarm

SPECIFICATION

Mains supply: 230V/1/50Hz

Box Size: 190x140x70mm

Beacon Size: 105x105x130mm

Cable: 10m of 2x1mm²

Beacon: Red 5W Max. 12Vdc

Battery: NiCd - 12Vdc - 0.7Ah

Restoration time: Approx 12 hrs

Battery operating time:

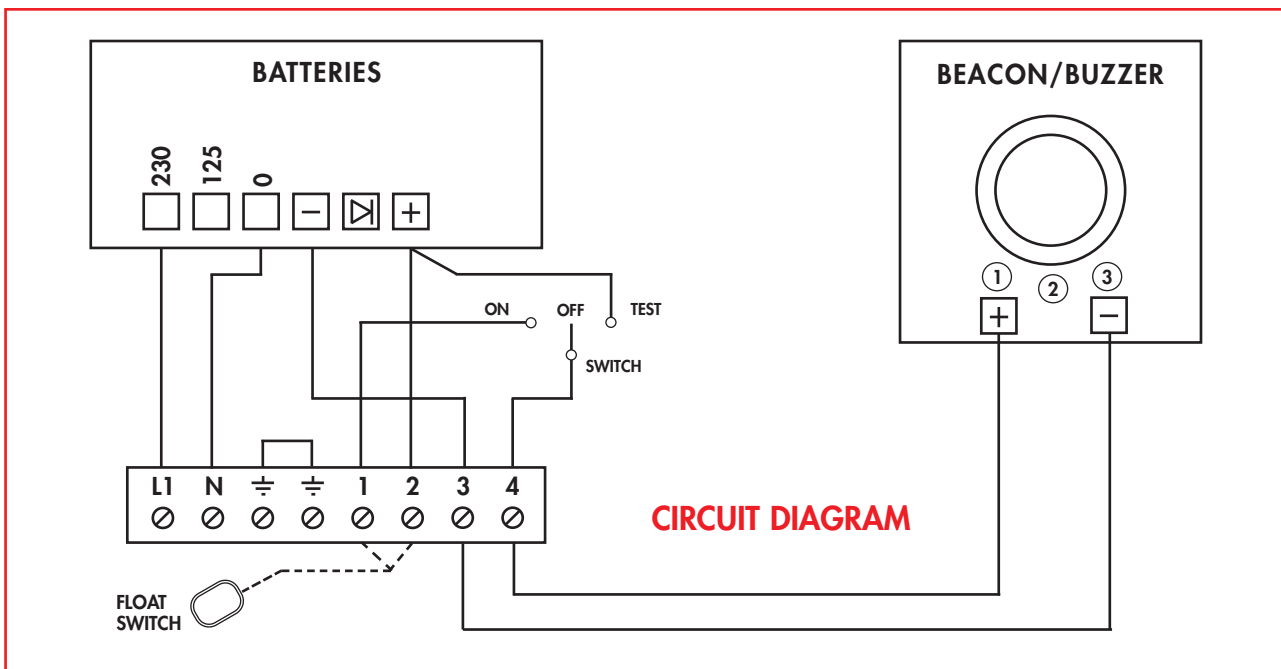
Approx. 2 hrs.

Three-Way switch:

ON: Float switch alarm

OFF: Alarm off

TEST: Checks function



CIRCUIT DIAGRAM