

# GMP - B4KQ/A-ST

## Self Priming Dirty Water/Sewage Pump

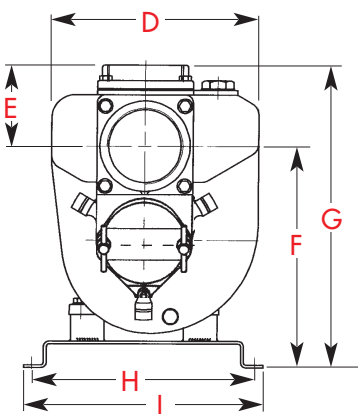
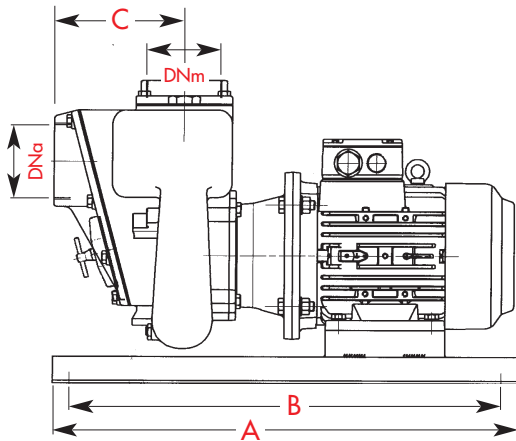


Available in 400/3/50 these self priming pumps have a special three blade impeller designed for arduous dirty water and sewage type applications.

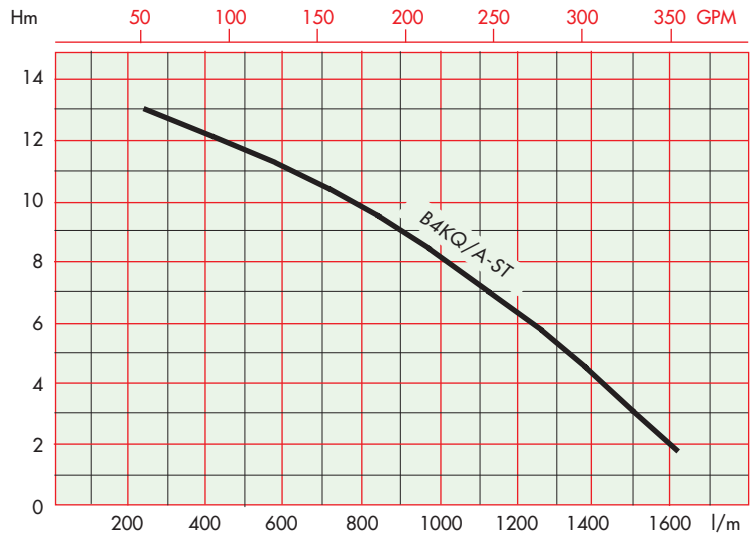
These 'Semi-Trash' pumps also feature high specification mechanical seals and stainless steel wear discs for long service life. A quick access inspection door under the suction valve facilitates checking and removal of any clogging material.

Pumps operate to a maximum suction depth of 7m and liquid temperatures to 70°C.

Three smaller sizes of these 'Semi-Trash' pumps are also available - (0.75kW/1½", 1.5kW/2" and 2.2kW/3") ask for data sheet.



**MAXIMUM SOLIDS HANDLING**  
38MM Dia.



MODEL	NOMINAL			DIMENSIONS mm											WEIGHT Kg
	kW	HP	Amp	DN	A	B	C	D	E	F	G	H	I		
B4KQ/A-ST	4.0	5.5	7.9	4"	700	650	195	315	120	335	455	335	360	74.5	

© Descriptions, technical data and features contained in this leaflet are not binding. We reserve the right to make any necessary modifications without prior notice.