

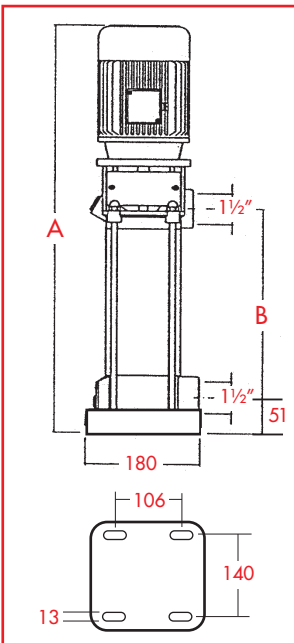
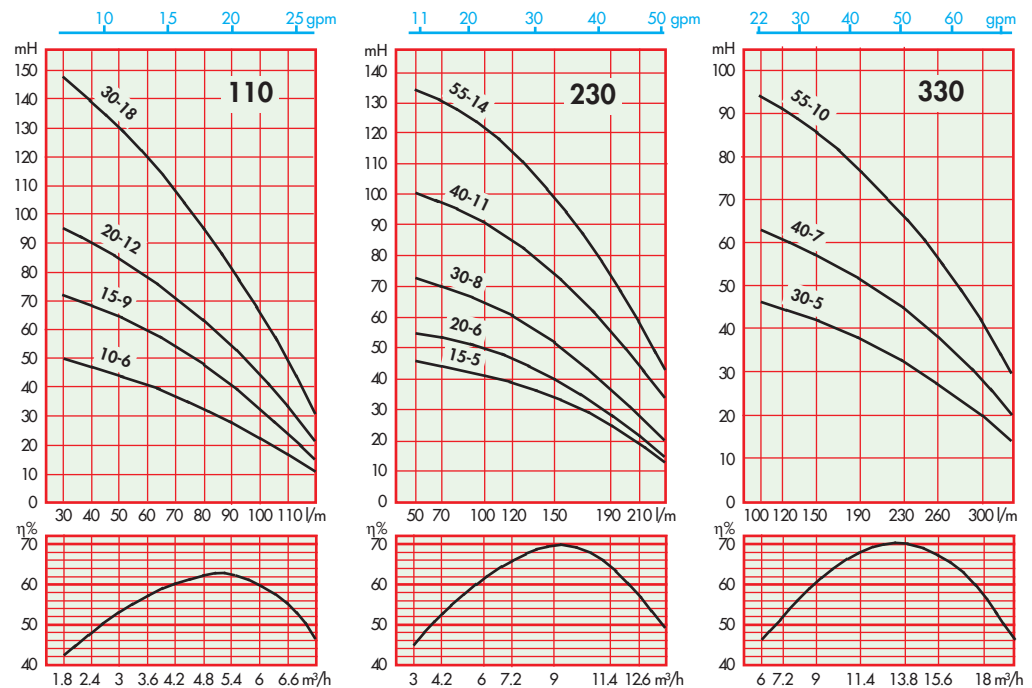
CMV/CTV VERTICAL MULTISTAGE PUMPS

Series 110/230/330



Series 110/230/330 vertical multistage pumps are available in both 230/1/50 and 400/3/50 models.

The pump ends comprise head, foot and motor coupling in mechanical cast iron; casing, tie rods, shaft and fixings in stainless steel; impellers and diffusers in reinforced polycarbonate; bearing in self-lubricating bronze; and mechanical seal in graphite/ceramics. The asynchronous two pole motors feature ball bearings (lower thrust bearing); frame, cover and B14 flange in die-cast aluminium alloy; external ventilation.



For higher capacities, please refer to separate data sheet covering CTV Series 530/700 models.

230/1/50 Model	Power kW	HP	Nom Amp	Dimensions A	B	Weight kg
CMV10-6/110	0.75	1	6.2	662	286	22.2
CMV15-9/110	1.1	1.5	8	752	376	25.8
CMV20-12/110	1.5	2	10.9	859	466	28.3
CMV30-18/110	2.2	3	16.5	1093	646	35.0
CMV15-5/230	1.1	1.5	8	662	286	24.1
CMV20-6/230	1.5	2	10.9	715	322	25.8
CMV30-8/230	2.2	3	16.5	841	394	31.7
CMV30-5/330	2.2	3	16.5	733	286	29.6

400/3/50 Model	Power kW	HP	Nom Amp	Dimensions A	B	Weight kg
CTV10-6/110	0.75	1	1.9	665	286	21.0
CTV15-9/110	1.1	1.5	2.7	755	376	24.8
CTV20-12/110	1.5	2	3.3	859	466	26.3
CTV30-18/110	2.2	3	5.3	1063	646	33.5
CTV15-5/230	1.1	1.5	2.7	665	286	23.1
CTV20-6/230	1.5	2	3.3	715	322	23.8
CTV30-8/230	2.2	3	5.3	811	394	30.2
CTV40-11/230	3	4	6.8	951	502	38.0
CTV55-14/230	4	5.5	8.5	1059	610	41.0
CTV30-5/330	2.2	3	5.3	703	286	28.1
CTV40-7/330	3	4	6.8	807	358	35.3
CTV55-10/330	4	5.5	8.5	915	466	38.1

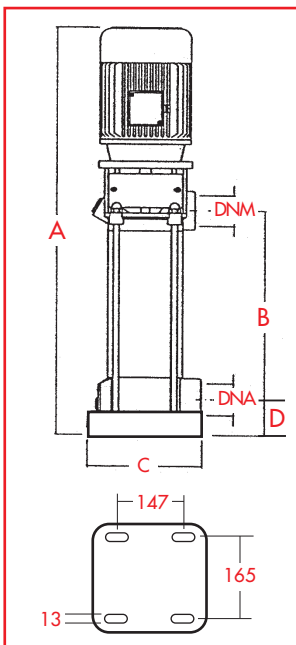
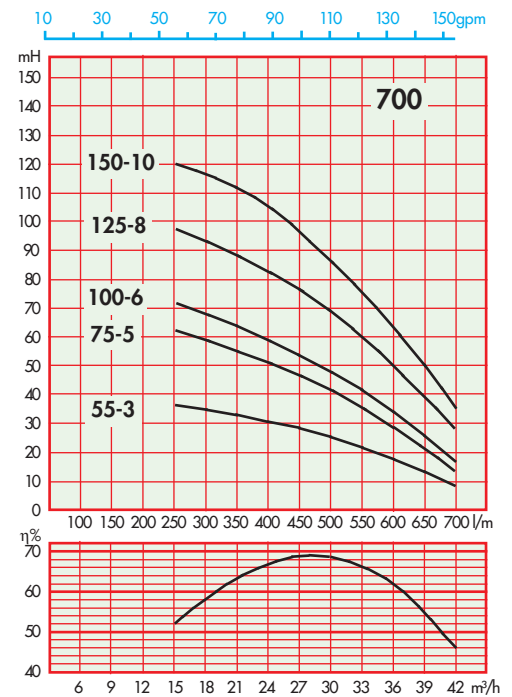
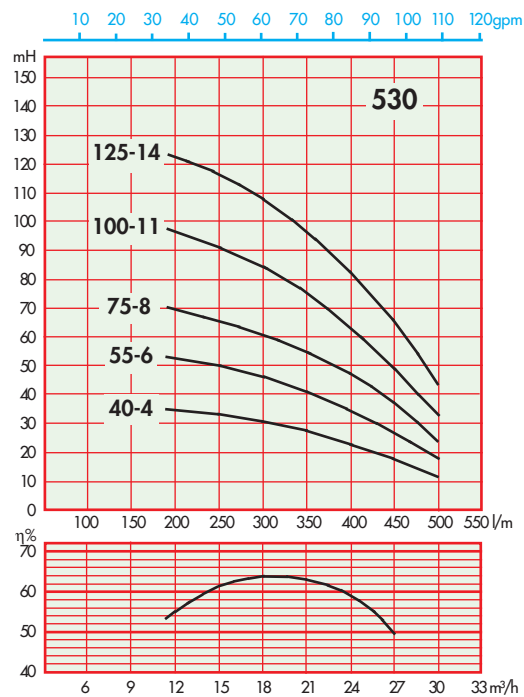
CTV VERTICAL MULTISTAGE PUMPS

Series 530/700



Series 530/700 vertical multistage pumps are available in 400/3/50 models only.

The pump ends comprise head, foot and motor coupling in mechanical cast iron; casing, tie rods, shaft and fixings in stainless steel; impellers and diffusers in reinforced polycarbonate; bearing in self-lubricating bronze; and mechanical seal in graphite/ceramics. The asynchronous two pole motors feature ball bearings (lower thrust bearing); frame, cover and B14 flange in die-cast aluminium alloy; external ventilation.



400/3/50 Model	Power		Nom. Amp	Dimensions						Weight kg
	kW	HP		A	B	C	D	DNA	DNM	
CTV40-4/530	3	4	6.8	848	327	200	68	2½"	2"	40.2
CTV55-6/530	4	5.5	8.5	948	427	200	68	2½"	2"	42.7
CTV75-8/530	5.5	7.5	13	1100	527	200	68	2½"	2"	58.2
CTV100-11/530	7.5	10	16.5	1250	677	200	68	2½"	2"	63.4
CTV125-14/530	9.2	12.5	19.2	1405	827	200	68	2½"	2"	70.7
CTV55-3/700	4	5.5	8.5	882	361	200	68	2½"	2"	42.3
CTV75-5/700	5.5	7.5	13	1090	517	200	68	2½"	2"	58.6
CTV100-6/700	7.5	10	16.5	1168	595	200	68	2½"	2"	62.8
CTV125-8/700	9.2	12.5	19.2	1329	751	200	68	2½"	2"	70.2
CTV150-10/700	11	15	22.7	1520	907	200	68	2½"	2"	77.6

G-CMV/G-CTV AUTOMATIC PRESSURE SETS

Series 110/230/330 Vertical Multistage

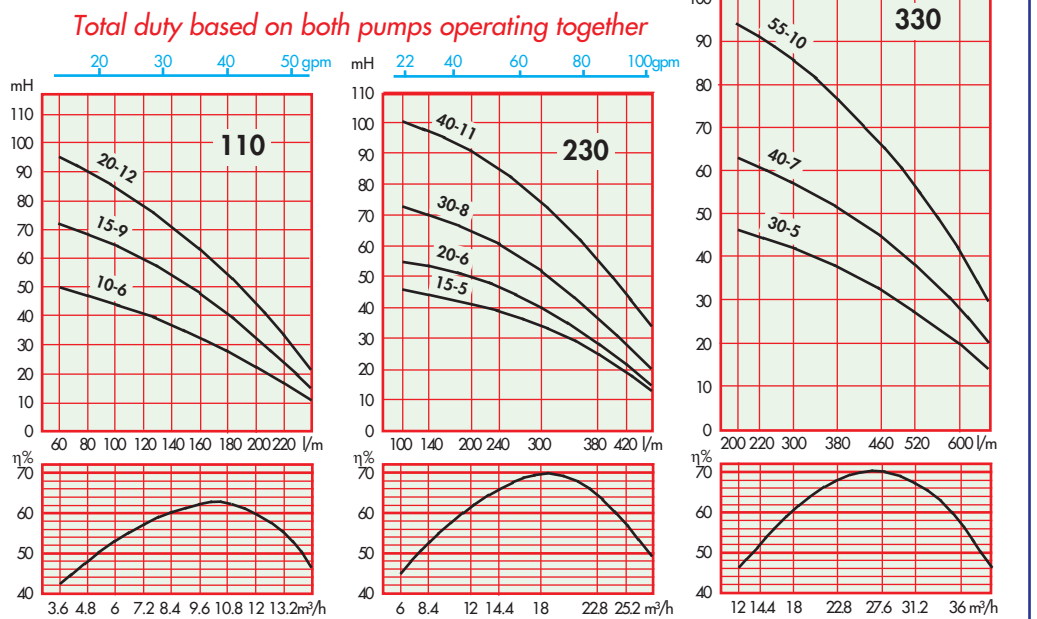
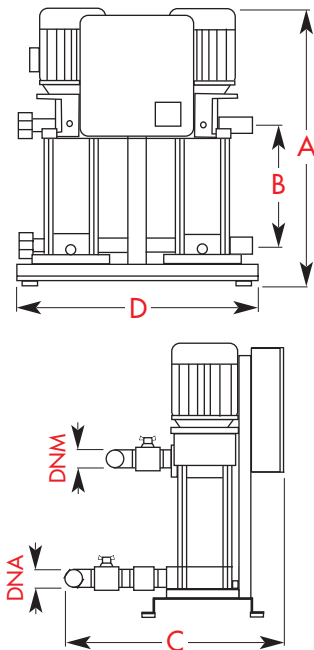


Twin pump automatic pressure sets featuring Series 110/230/330 vertical multistage pumps, available in both 230/1/50 and 400/3/50. Designed for alternating duty/assist applications, providing a flexible and economical solution for a wide range of service requirements.

A pressure set is assembled on a single frame with the control panel mounted on a telescopic clamp, so that it can be adjusted to suit site requirements.

The system wet-end comprises two matching vertical multistage pumps; inlet manifold with check valves and ball valves; zinc coated steel outlet manifold connected to pumps via ball valves; one pressure switch per pump mounted on the outlet manifold for automatic stop/start; pressure gauge.

The control panel comprises mains switch with inter-locked opening; fuse holder with fuses on main and auxiliary circuit; 230-400/110V transformer; 110V contactors; thermal relays for motor protection; electronic control card; float switch facility for dry running protection; pump isolation switch.



230/1/50 Model	400/3/50 Model	Power kW	Power HP	Nom Amp	A	B	Dimensions C D		DNA DNM	Weight kg
G-CMV10-6/110	-	0.75-0.75	1.1-1.1	6.2-6.2	712	286	620	600	2" 1½"	64.4
G-CMV15-9/110	-	1.1-1.1	1.5-1.5	8.0-8.0	802	376	620	600	2" 1½"	71.6
G-CMV15-5/230	-	1.1-1.1	1.5-1.5	8.0-8.0	712	286	620	600	2" 2"	69.2
G-CMV20-6/230	-	1.5-1.5	2.0-2.0	10.9-10.9	765	322	620	600	2" 2"	72.6
G-CMV30-8/230	-	2.2-2.2	3.0-3.0	16.5-16.5	891	394	620	600	2" 2"	81.4
G-CMV30-5/330	-	2.2-2.2	3.0-3.0	16.5-16.5	783	286	770	600	3" 2"	83.2
-	G-CTV10-6/110	0.75-0.75	1.1-1.1	1.9-1.9	712	286	620	600	2" 1½"	62.0
-	G-CTV15-9/110	1.1-1.1	1.5-1.5	2.7-2.7	802	376	620	600	2" 1½"	69.6
-	G-CTV20-12/110	1.5-1.5	2.0-2.0	3.3-3.3	909	466	620	600	2" 1½"	72.6
-	G-CTV15-5/230	1.1-1.1	1.5-1.5	2.7-2.7	715	286	620	600	2" 2"	67.2
-	G-CTV20-6/230	1.5-1.5	2.0-2.0	3.3-3.3	765	322	620	600	2" 2"	68.6
-	G-CTV30-8/230	2.2-2.2	3.0-3.0	5.3-5.3	891	394	620	600	2" 2"	81.4
-	G-CTV40-11/230	3.0-3.0	4.0-4.0	6.8-6.8	1001	502	620	600	2" 2"	100.0
-	G-CTV30-5/330	2.2-2.2	3.0-3.0	5.3-5.3	753	286	770	600	3" 2"	80.2
-	G-CTV40-7/330	3.0-3.0	4.0-4.0	6.8-6.8	857	358	770	600	3" 2"	96.6
-	G-CTV55-10/330	4.0-4.0	5.5-5.5	8.5-8.5	965	466	770	600	3" 2"	102.0

© Descriptions, technical data and features contained in this leaflet are not binding. We reserve the right to make any necessary modifications without prior notice.

G-CTV AUTOMATIC PRESSURE SETS

Series 530/700 Vertical Multistage



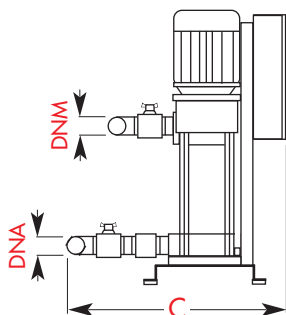
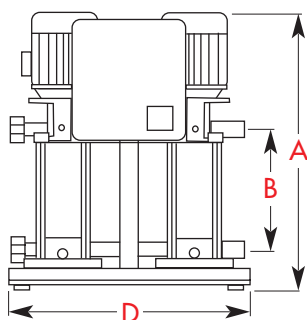
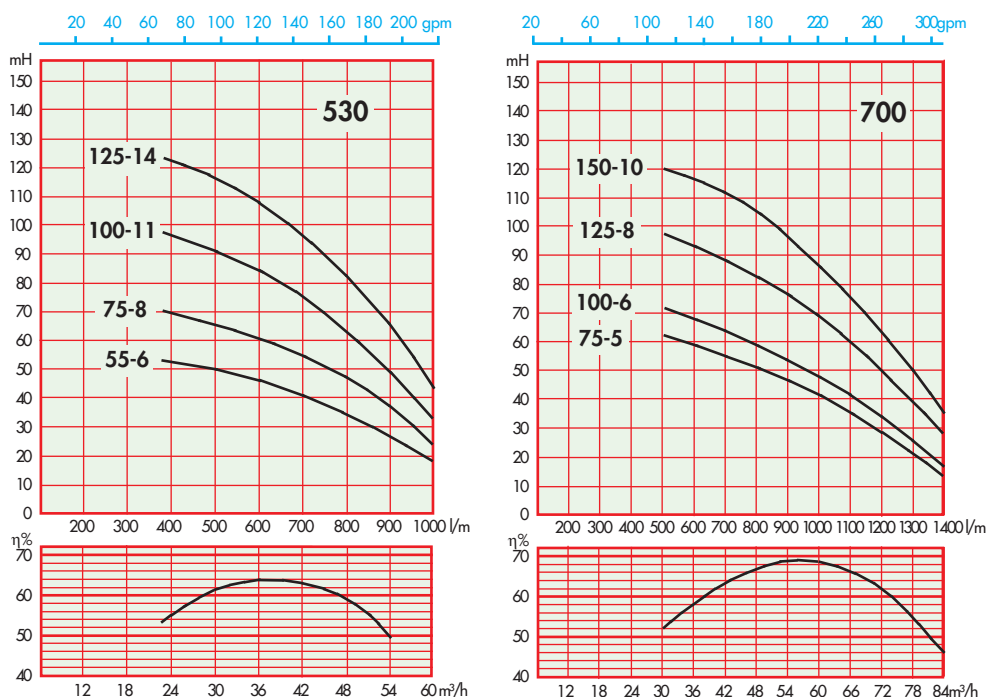
Twin pump automatic pressure sets featuring Series 530/700 vertical multistage pumps, available in 400/3/50. Designed for alternating duty/assist applications, providing a flexible and economical solution for a wide range of service requirements.

A pressure set is assembled on a single frame with the control panel mounted on a telescopic clamp, so that it can be adjusted to suit site requirements.

The system wet-end comprises two matching vertical multistage pumps; inlet manifold with check valves and ball valves; zinc coated steel outlet manifold connected to pumps via ball valves; one pressure switch per pump mounted on the outlet manifold for automatic stop/start; pressure gauge.

The control panel comprises mains switch with interlocked opening; fuse holder with fuses on both main and auxiliary circuit; 400V/110V transformer; 110V contactors; thermal relays for motor protection; electronic control card; float switch facility for dry running protection; pump isolation switch.

Total duty based on both pumps operating together



400/3/50 Model	Power kW	Power HP	Nom Amp	Dimensions				DNA	DNM	Weight kg
				A	B	C	D			
G-CTV55-6/530	4.0-4.0	5.5-5.5	8.5-8.5	998	427	920	600	4"	3"	127
G-CTV75-8/530	5.5-5.5	7.5-7.5	13.0-13.0	1150	527	920	600	4"	3"	158
G-CTV100-11/530	7.5-7.5	10.0-10.0	16.5-16.5	1300	677	920	600	4"	3"	169
G-CTV125-14/530	9.2-9.2	12.5-12.5	19.2-19.2	1455	827	920	600	4"	3"	183
G-CTV75-5/700	5.5-5.5	7.5-7.5	13.0-13.0	1140	517	920	600	4"	3"	159
G-CTV100-6/700	7.5-7.5	10.0-10.0	16.5-16.5	1218	595	920	600	4"	3"	168
G-CTV125-8/700	9.2-9.2	12.5-12.5	19.2-19.2	1379	751	920	600	4"	3"	182
G-CTV150-10/700	11.0-11.0	15.0-15.0	22.7-22.7	1570	907	920	600	4"	3"	197

© Descriptions, technical data and features contained in this leaflet are not binding. We reserve the right to make any necessary modifications without prior notice.