

DK INOX



Applications

Drainage for waste water.
Suitable for dirty water with solid particles of max. diameter of 35 mm.

Motor and features

Protection degree IP68
Power supply in single-phase 230V-50Hz
Electrical cable 10 mt
Insulation class B
Impeller: INOX-VORTEX

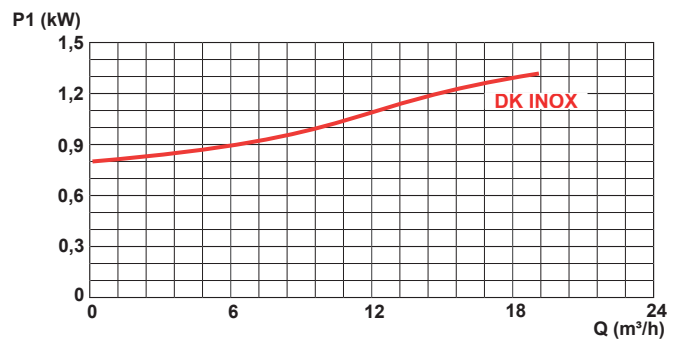
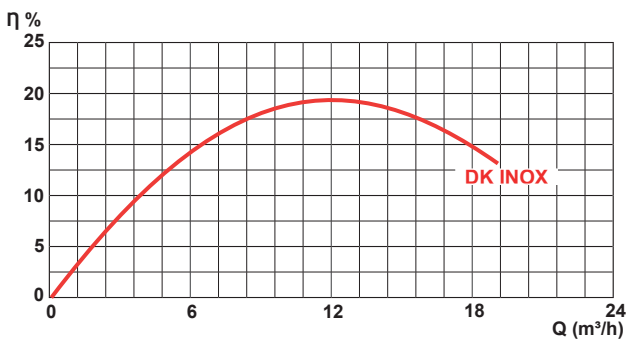
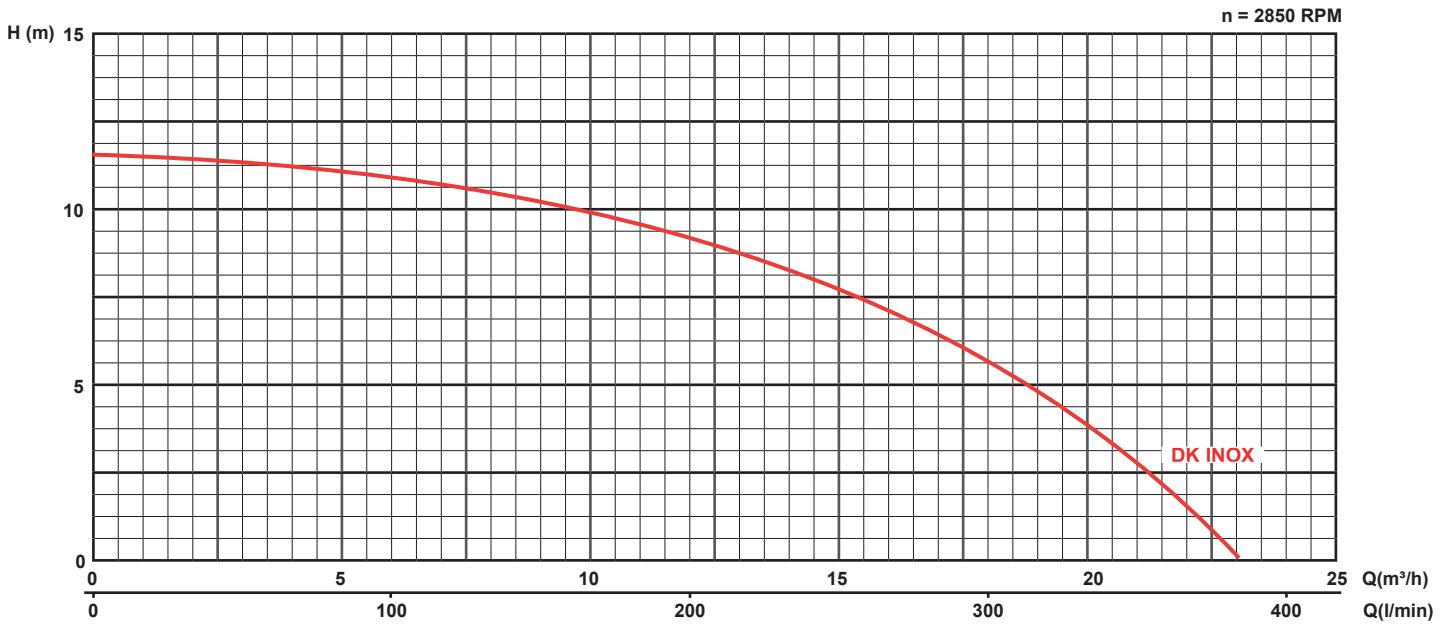
Component	Material
Motor	Brass
Pump body	AISI 304
Motor shaft	AISI 304
Bottom support	AISI 304
Mechanical seal	Graphite & Cermic
Seal lubricant oil	Oil for food machinery and pharmaceutic use
VORTEX back impeller	AISI 304

Application limits

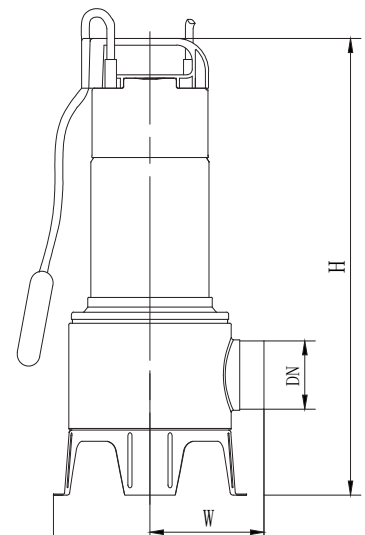
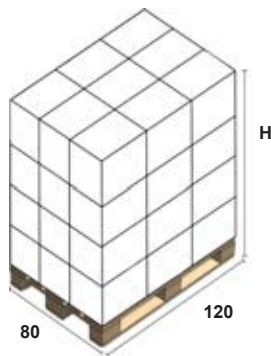
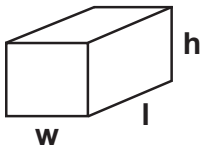
Max. water temperature 40°C
Liquid condition: dirty water with maximum solid of 35mm.
pH level from 4-10
Max. flowrate: 22800 l/h
Max. head: 11,7 mt

Model	Rated power		I Max. [A]		Q = Capacity								
	Hp	kW P2	Single-phase 230V	Three-phase 400V	l/min	0	50	100	150	200	250	300	350
					m³/h	0	3	6	9	12	15	18	21
DK INOX	1	0,75	4,7	/	Total head in meters w.c.								
					H (m)	11,7	11,4	10,8	10	9	7,6	5,8	3,7

For input power P1 please check the curve on the next page



PACKING DIMENSIONS



PUMPS'S MODEL	PUMPS'S DIMENSIONS mm			PACKING DIMENSIONS cm			WEIGHT	Quantity per pallet	
	A	B	DN	w	l	h	kg	H	n°
DK INOX	220	415	2"	27,5	46,3	23,5	10,9	110	24