

# GMP - SERIES BKQ/A

## Self Priming Heavy Duty Water Pumps

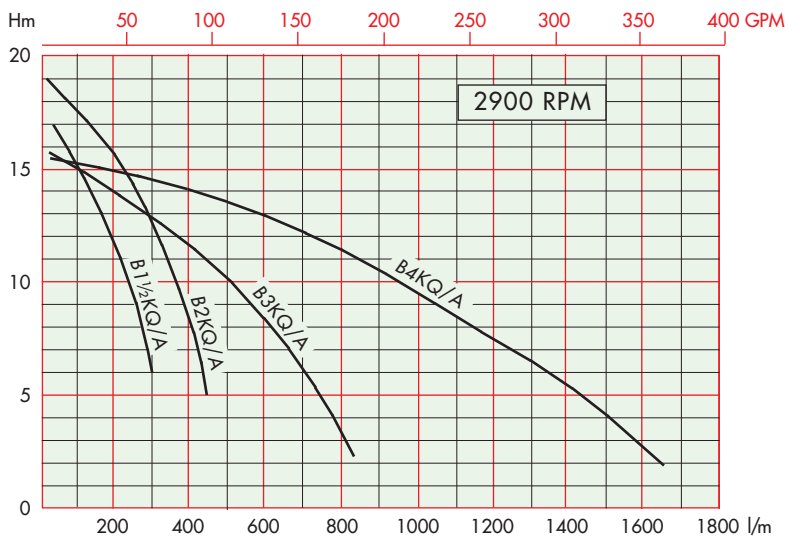
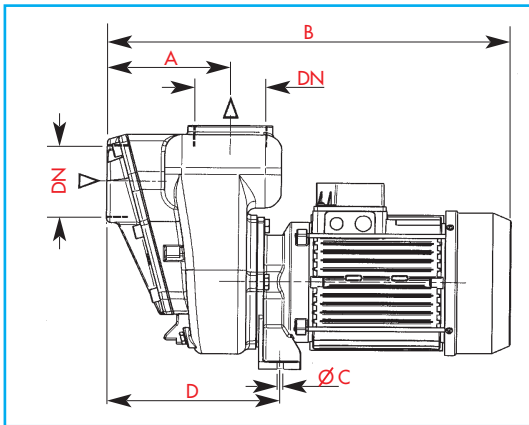


Available in 230/1/50 (3 models) and 400/3/50 (4 models), these cast iron pumps have open impellers suitable for clean or slightly dirty water, without abrasives. Maximum liquid temperature of 70°C. For dirty water, sewage/solids handling applications see the BKQ/A-ST semi-trash range.

With a maximum suction depth of 6m, a non-return flap valve on the suction inlet aids priming on restart.

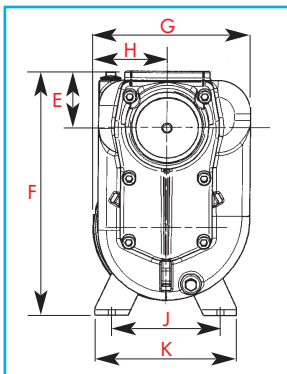
Diesel transfer, ATEX, Bronze, AISI 316 and high pressure options available to order.

Composite drawings are for dimension purposes only.



**Note:** \*Model B4 is supplied on a baseplate 700x360x42 high. 42mm has been added to height dimension F in the table.

**SOLIDS HANDLING**  
 B1 1/2 = 6mm  
 B2 = 8mm  
 B3 = 10mm  
 B4 = 20mm



MODEL	NOM kW	NOM AMP		DIMENSIONS mm											WEIGHT Kg
		1Ph	3Ph	DN	A	B	ØC	D	E	F	G	H	J	K	
B1 1/2 KQ/A	0.75	6.2	1.8	1 1/2"	103	372	10	154	67	296	190	95	110	152	21
B2 KQ/A	1.50	9	4	2"	120	410	11	175	79	307	185	92.5	132	170	22
B3 KQ/A	2.20	13	5	3"	148	485	11	210	67	295	190	95	132	170	32
B4 KQ/A	4.00	--	7.9	4"	195	693	-	-	120	*455	*315	144	-	-	64

© Descriptions, technical data and features contained in this leaflet are not binding. We reserve the right to make any necessary modifications without prior notice.